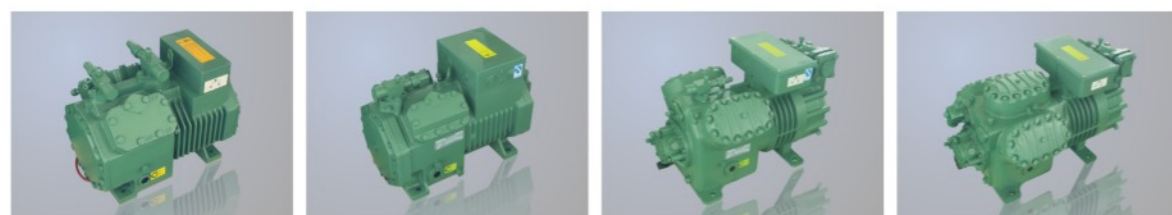




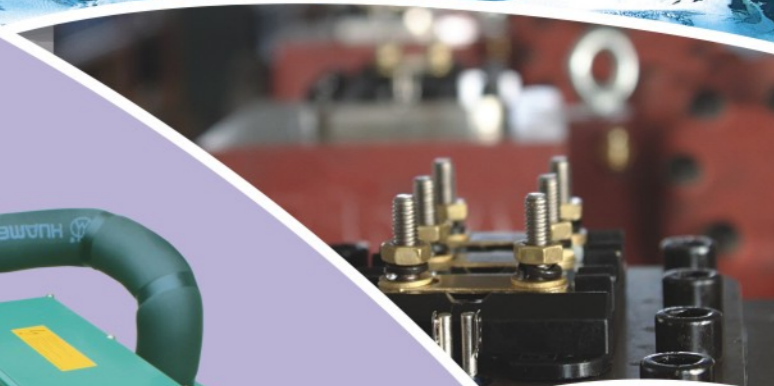
SEMI-HERMETICALLY SEALED
REFRIGERANT COMPRESSORS

半封闭制冷压缩机



体积小、重量轻、噪音小、震动小、高效节能、绿色环保、安全稳定

雪 / 的 / 世 / 界 鹰 / 的 / 精 / 神



52
years
专注制冷



浙江商业机械厂有限公司
ZHEJIANG COMMERCIAL MACHINERY FACTORY CO., LTD.

地址：中国浙江省杭州市下城区中河北路83号
Add: No. 83 North Zhonghe Road, Xiacheng District,
Hangzhou City, Zhejiang Province, China
销售热线(Tel): 0571-88086095
服务热线(Tel): 0571-88133312
传真(Fax): 0571-88141031 邮编(PC): 310022
网址: //www.xy-zl.com

注：样本参数如有更改，恕不另行通知，照片、外形图以实物为准。

浙江商业机械厂有限公司
ZHEJIANG COMMERCIAL MACHINERY FACTORY CO., LTD.

www.xy-zl.com

Enterprise Introduction 企业简介

浙江商业机械厂有限公司是专业设计、制造各种制冷压缩机、冷凝压缩机组、低温复叠机组、冷水机组、船用机组、组合冷库等冷冻冷藏设备的企业，是国内最大的半封闭制冷压缩机生产厂家之一，产品销量在国内同行业中名列前茅。产品销售遍布全国，并远销欧洲、东南亚各地。

企业积极响应全球环保、节能的绿色浪潮，提倡以绿色环保制冷剂为制冷工质。近年来企业致力于环保工质R32半封闭活塞式制冷压缩机的研发，产品即将投放市场。

Zhejiang Commercial Machinery Factory Co.,Ltd is a professional design and manufacture all kinds of refrigeration compressor,compressor condenser,low temperature cascade unit,chillers,marine unit,the combination of cold storage and other refrigeration equipment's company,which is the largest manufacturer of semi-hermetically refrigeration compressors in china.Our sale amount is in the forefront of domestic industry.the product sales all over the countries and export to Europe,Southeast Asia.

Enterprises respond actively to global environmental protection,energy saving of green wave,promoting a green environmental protection refrigerant for refrigerant medium.In recent years,companies committed to environmental protection refrigerant R32 refrigeration semi-hermetically piston compressor research and development,the product to be put on the market.



美国“CINCINNATI”卧式（CNC）加工中心
Horizontal CNC Machining Center from US Cincinnati



总装车间一角
General Assembly Plant



美国“Giddings & Lewis”三坐标（CNC）测量仪
Tri-coordinate CNC Measuring Machine from US Giddings & Lewis



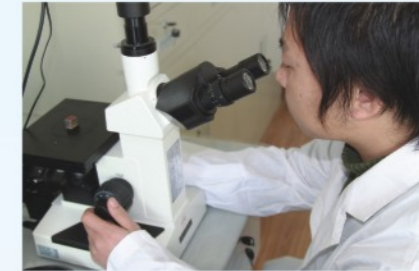
美国“Fadal”立式（CNC）加工中心
Vertical CNC Machining Center from US Fadal

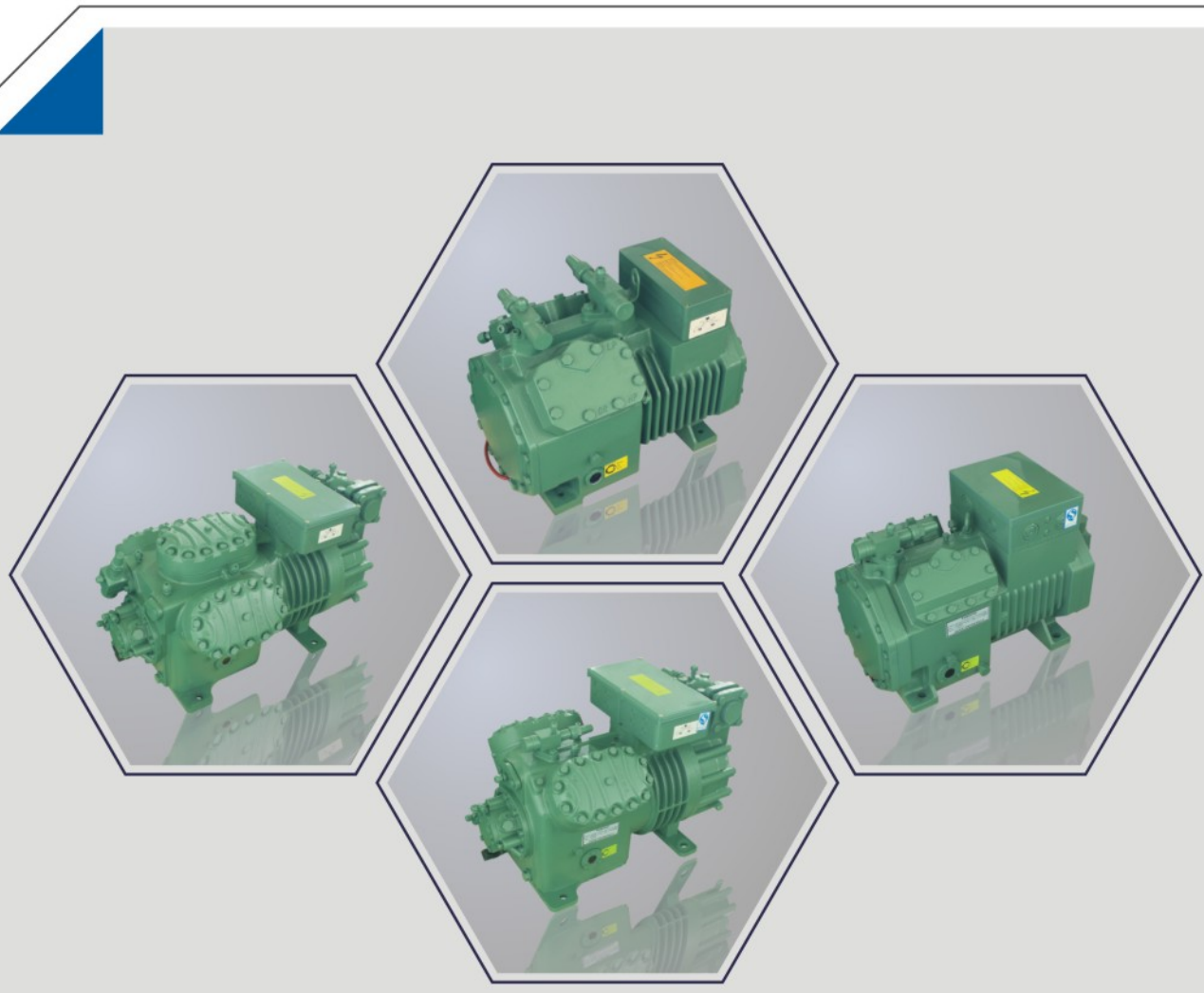


Quality Assurance 品质保证



全电脑冷水机组、制冷压缩冷凝机组性能检测设备
Full-computer controlled performance inspection device of water-chilling unit and refrigerant compressor condensing unit





体积小、重量轻、噪音小、震动小、高效节能、绿色环保、安全稳定

精品配件
Products accessories



一流品质 铸就精品
The first-class quality of casting products

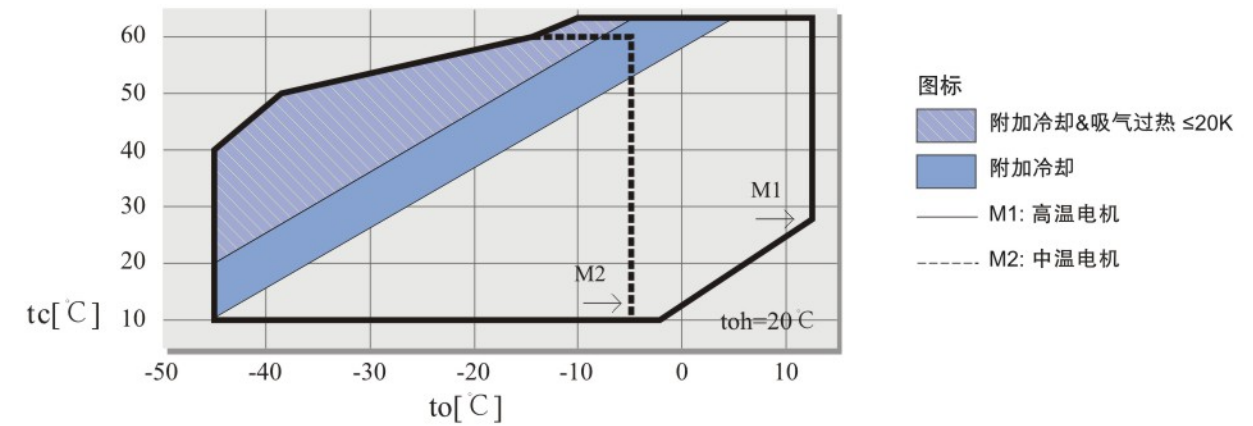


使用范围
RANGE OF USE

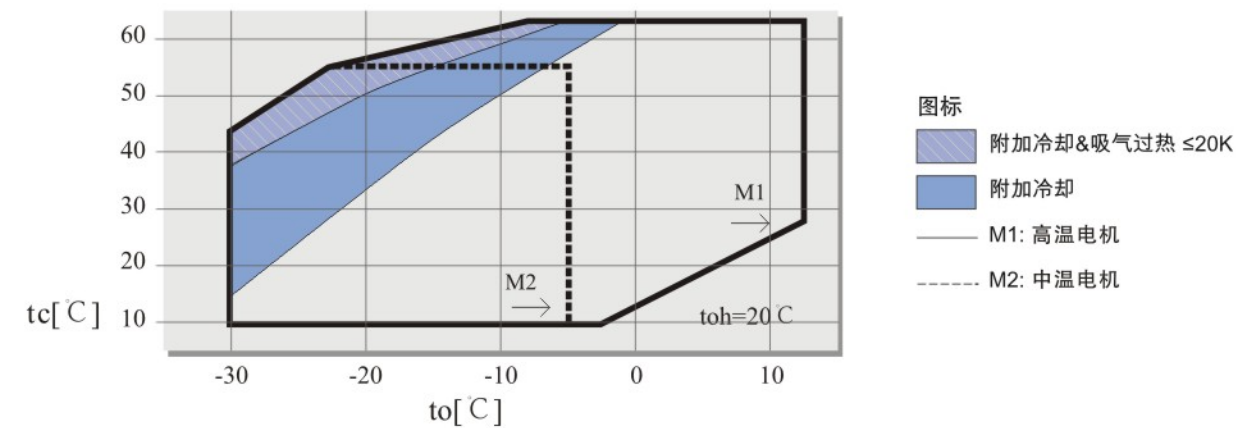
项目 Item	制冷剂 Refrigerant	R22	R134a	R404A	R407A	R407B	R407C
蒸发温度 ※ Evaporating temperature		-40 ~ +12.5℃	-20 ~ +12.5℃	-40 ~ +10℃	-40 ~ -10℃	-40 ~ -10℃	-30 ~ +10℃
冷凝温度 Condensing temperature		30 ~ 45℃(水冷); 30 ~ 50℃(风冷) 30 ~ 45℃(Water cooled); 30 ~ 50℃(Air cooled)					
最大压力差 Max.pressure difference		1.83MPa					
最大压缩比 Max.compression ratio		18					
最高排气温度 Max.discharge temperature		135℃ (排气管表面) 135℃(Discharge pipe surface)					
吸气过热度 Suction superheat		最小: 10 度, 最大: 保证排气温度小于135℃时的最大过热度 Min:10℃, Max: When ensure the discharge temp.less than 135℃ that the superheat is max.					
最高油温 Max.oil temperature		80℃					
电源 Power supply		3Ph 380/440V 50/60Hz					
电机温度 Motor temperature		105℃以下 Below 105℃					
冷冻机油 Refrigeration oil		SUNISO 3GS			SUNISO SL32S		
最高环境温度 Max.ambient temperature		43℃					

※ 蒸发温度范围详见制冷量表。The range of evaporation temperature please see the table of refrigerating capacity.

◎ 适用型号: 4FES-3~4CES-9 The applicable model: 4FES-3~4CES-9



◎ 适用型号: 4VES-7~6FE-50 The applicable model: 4VES-7~6FE-50



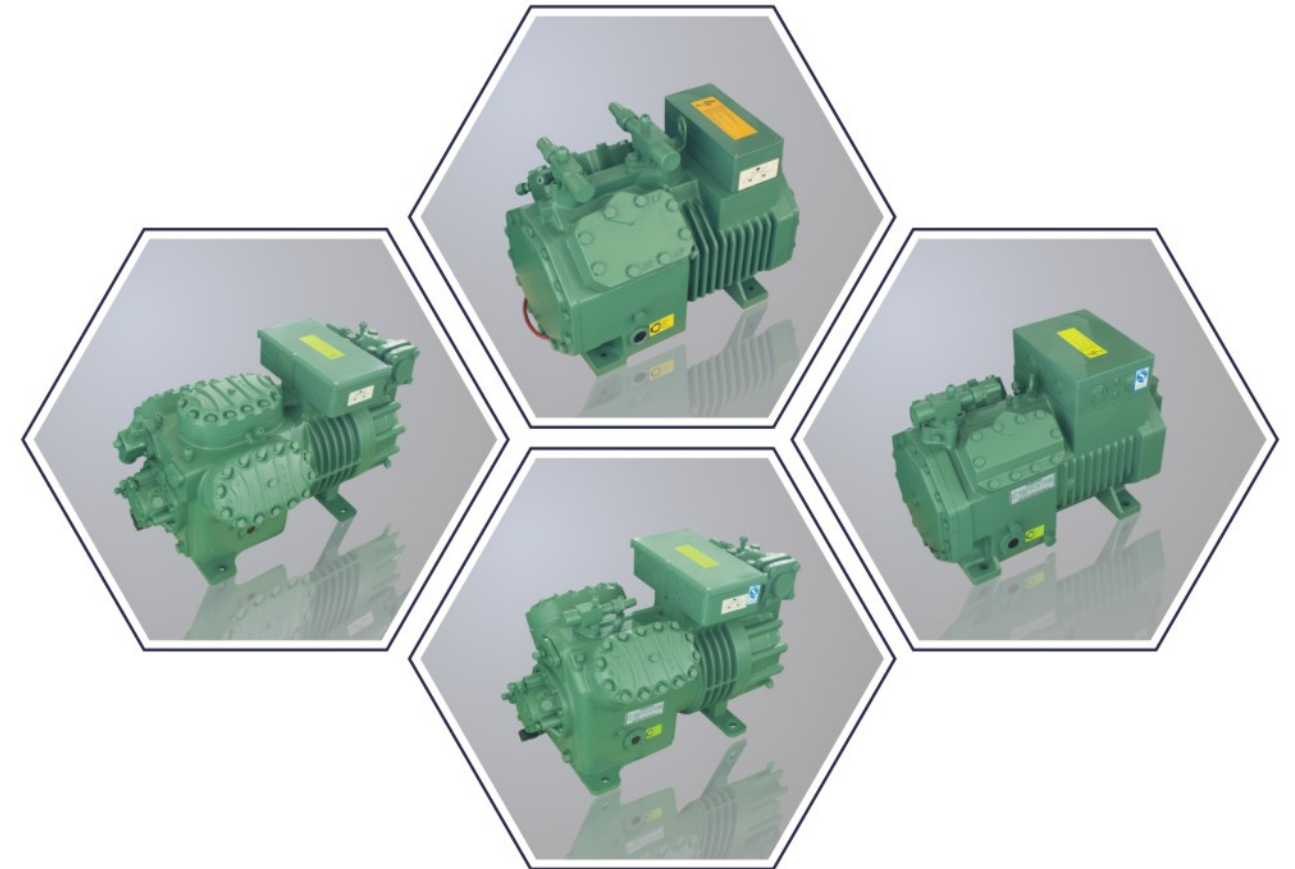
三、压缩机产品参数

1、技术参数

压缩机型号 Compressor model	电机名义功率 Nominal motor power HP/KW	排气量 Displacement (50Hz)m ³ /h		缸数×直径×行程 Number of Cylinder × Diameter × Stroke mm	油注入量 Oil injection volume L	电源 Power supply V/φ/Hz	电器参数 Electrical parameter		曲轴箱加热器 Crankcase Heater (220V) W	供油方式 Oil supply method	重量 (含冷冻油) Weight (including freezing oil) Kg
		最大工作电流 Max operating current A	启动/堵转电流/堵转 Starting current/ rotor locked current A				低压 Low Pressure	高压 High Pressure			
BFCA-0500	5/3.7	—	18.4	2×φ54×46	1.85	380~	8.5	26/45	60	飞溅润滑 Splash lubrication	101
BFCA-0800	8/5.5	—	26.8	2×φ64×48	3.5	420/3/50	13	41/74	120		140
BFCA-1000	10/7.5	—	36	2×φ64×64	3.5	440~	18.6	52/82	120		145
BFCA-1500	15/10.5	—	54	3×φ64×64	4.8	480/3/60	28	72/102	180		192
2CES-3	3/2.2	—	16.2	2×φ55×39.3	1.5	380~ 420/3/50 440~ 480/3/60	9.1	37	120	离心润滑 Centrifugal lubrication	70
2CES-4	5/3.7	—	16.2	2×φ55×39.3	1.5		10	44.2	120		75
4FES-3	3/2.2	—	18.05	4×φ41×39.3	2.0		9.5	44.2	120		82
4FES-5	5/3.7	—	18.05	4×φ41×39.3	2.0		10.8	62.2	120		86
4EES-4	4/3.0	—	22.72	4×φ46×39.3	2.0		12.2	53.5	120		84
4EES-6	6/4.4	—	22.72	4×φ46×39.3	2.0		13.6	62.2	120		86
4DES-5	5/3.7	—	26.84	4×φ50×39.3	2.0		14.5	62.2	120		85.5
4DES-7	7/5.1	—	26.84	4×φ50×39.3	2.0		16.5	82.4	120		88.5
4CES-6	6/4.4	—	32.48	4×φ55×39.3	2.0		17.7	82.4	120		90.5
4CES-9	9/6.6	—	32.48	4×φ55×39.3	2.0		20.2	82.4	120		90.5
4VES-7	6/4.4	—	34.73	4×φ55×42	2.6		16.6	39/68	140		129
4VES-10	10/7.5	—	34.73	4×φ55×42	2.6		19.9	59/99	140		139
4TES-9	8/5.5	—	41.33	4×φ60×42	2.6	19.9	49/81	140	134		
4TES-12	12/8.8	—	41.33	4×φ60×42	2.6	25.1	69/113	140	141		
4PES-12	10/7.5	—	48.5	4×φ65×42	2.6	22.7	59/99	140	139		
4PES-15	15/10.5	—	48.5	4×φ65×42	2.6	28.2	81/132	140	142		
4NES-14	12/8.8	—	56.25	4×φ70×42	2.6	26.6	69/113	140	141		
4NES-20	20/15	—	56.25	4×φ70×42	2.6	33.2	97/158	140	150		
4JE-15	13/9.5	—	63.5	4×φ65×55	4.5	30.8	97/158	140	193		
4JE-22	22/16.2	—	63.5	4×φ65×55	4.5	37.2	97/158	140	202		
4HE-18	15/10.5	—	73.6	4×φ70×55	4.5	36.7	97/158	140	197		
4HE-25	25/18.5	—	73.6	4×φ70×55	4.5	44	125/211	140	205		
4GE-23	20/15	—	84.5	4×φ75×55	4.5	43.9	97/158	140	200		
4GE-30	30/22	—	84.5	4×φ75×55	4.5	51.2	141/233	140	209		
6JE-25	22/16.2	—	95.3	6×φ65×55	4.25	46.4	141/233	140	226		
6JE-33	33/24.3	—	95.3	6×φ65×55	4.25	53.2	165/275	140	244		
6HE-28	25/18.5	—	110.5	6×φ70×55	4.25	53.2	141/233	140	237		
6HE-35	35/25.7	—	110.5	6×φ70×55	4.25	64.4	165/275	140	248		
6GE-34	30/22	—	126.8	6×φ75×55	4.75	65.5	141/233	140	241		
6GE-40	40/30	—	126.8	6×φ75×55	4.75	73.9	219/362	140	247		
6FE-44	40/30	—	151.6	6×φ82×55	4.75	83.2	219/362	140	243		
6FE-50	50/37	—	151.6	6×φ82×55	4.75	96.2	226/404	140	248		

压缩机型号 Compressor model	电机名义功率 Nominal motor power KW	排气量 Displacement (50Hz)m ³ /h		缸数×直径×行程 Number of Cylinder × Diameter × Stroke mm	油注入量 Oil injection volume L	电源 Power supply V/φ/Hz	电器参数 Electrical parameter		曲轴箱加热器 Crankcase Heater (220V) W	供油方式 Oil supply method	重量 (含冷冻油) Weight (including freezing oil) Kg
		最大工作电流 Max operating current A	启动/堵转电流/堵转 Starting current/ rotor locked current A				低压 Low Pressure	高压 High Pressure			
S4G-12.2	12/8.8	42.3	27.0	4×φ75/60×55	4.5	380~	24	69/113	140	离心润滑 Centrifugal lubrication	180
S6J-16.2	16/11.7	63.5	31.8	6×φ65/65×55	4.75	420YY	31	81/132	140		220
S6H-20.2	20/15	73.6	36.8	6×φ70/70×55	4.75	/3/50	37	97/158	140		235
S6G-25.2	25/18.5	84.5	42.3	6×φ75/75×55	4.75	440~	43	116/193	140		248
S6F-30.2	30/22	101.1	50.5	6×φ82/82×55	4.75	/3/60	51	135/220	140		249

注：电源V后带YY表示分线圈电机



制冷量表
REFRIGERATION STABLE

型号 Model	冷凝 温度 Condensing temperature	制冷量 Q ₀ (KW) Refrigerating capacity Q ₀ (KW)														
		蒸发温度 °C Evaporating temperature °C														
		12.5	10	7.5	5	0	-5	-10	-15	-20	-25	-30	-35	-40	-45	-50
BFCA-0500	30	24.9	22.9	20.7	19.3	16.4	13.1	10.7	8.7	6.8	5.3	3.8	2.6	1.7		
	40	22.3	20.5	18.5	17.2	14.5	11.7	9.6	7.6	6.0	4.3	3.1				
BFCA-0800	30	36.0	33.0	29.8	27.0	21.5	19.3	15.4	12.4	9.6	7.3	5.4	3.8	2.5		
	40	32.2	29.5	26.6	24.8	19.8	17.0	13.4	10.5	8.2	6.0	4.4				
BFCA-1000	30	49.5	45.4	41.0	38.3	32.5	25.9	20.6	16.7	13.0						
	40	44.3	40.7	36.7	34.2	28.9	23.2	18.5	14.6	11.4						
BFCA-1500	30	73.2	67.2	60.6	56.5	47.9	38.1	30.7	24.3	19.2						
	40	65.4	60.0	54.0	50.3	42.5	34.1	27.0	22.5	16.8						
2CES-3	30						11.9	9.8	8.0	6.4	5.1	3.9	3.0	2.2	1.5	
	40						10.5	8.6	7.0	5.6	4.3	3.3	2.4	1.7	1.1	
	50						9.3	7.5	6.1	4.8	3.7	2.8	2.0			
2CES-4	30	22.2	20.4	18.8	17.2	14.4	11.9	9.8	8.0	6.4	5.1	3.9	3.0	2.2	1.5	
	40	19.8	18.2	16.7	15.3	12.7	10.5	8.6	7.0	5.6	4.3	3.3	2.4	1.7	1.1	
	50	17.5	16.1	14.7	13.5	11.2	9.3	7.5	6.1	4.8	3.7	2.8	2.0			
4FES-3	30						12.7	10.3	8.3	7.0	5.5	4.2	3.1	2.3		
	40						11.2	9.0	7.1	6.0	4.6	3.5	2.5	1.7		
	50						9.6	7.6	5.9	4.9	3.7	2.7	1.9			
4FES-5	30	24.3	22.3	20.4	18.7	15.5	12.7	10.3	8.3	7.0	5.5	4.3	3.1	2.3		
	40	21.8	19.9	18.2	16.6	13.7	11.2	9.0	7.1	6.0	4.6	3.5	2.5	1.7		
	50	19.1	17.5	15.9	14.5	11.9	9.6	7.6	5.9	4.9	3.7	2.7	1.9			
4EES-4	30						15.7	12.8	10.3	8.8	6.9	5.3	4.0	2.9		
	40						13.8	11.1	8.8	7.5	5.8	4.4	3.2	2.2		
	50						11.8	9.4	7.3	6.1	4.6	3.4	2.4			
4EES-6	30	29.9	27.4	25.1	23.0	19.1	15.7	12.8	10.3	8.8	6.9	5.3	4.0	2.9		
	40	26.7	24.5	22.4	20.4	16.9	13.8	11.1	8.8	7.5	5.8	4.4	3.2	2.2		
	50	23.4	21.4	19.5	17.8	14.6	11.8	9.4	7.3	6.1	4.6	3.4	2.4			
4DES-5	30						19.1	15.5	12.5	10.2	8.1	6.2	4.6	3.3		
	40						16.8	13.5	10.7	8.8	6.8	5.2	3.8	2.6		
	50						14.4	11.5	9.0	7.2	5.5	4.1	2.9			
4DES-7	30	36.4	33.4	30.6	27.9	23.2	19.1	15.6	12.5	10.2	8.1	6.2	4.6	3.3		
	40	32.4	29.7	27.2	24.8	20.5	16.8	13.5	10.8	8.8	6.8	5.2	3.8	2.6		
	50	28.5	26.0	23.8	21.6	17.8	14.4	11.5	9.0	7.2	5.5	4.1	2.9			
4CES-6	30						22.9	18.7	15.1	11.9	9.3	7.0				
	40						20.2	16.4	13.0	10.2	7.7	5.6				
	50						17.5	14.0	10.9	8.3	6.1					
4CES-9	30	43.3	39.7	36.4	33.3	27.7	22.9	18.7	15.1	11.9	9.3	7.0				
	40	38.8	35.6	32.6	29.7	24.7	20.2	16.4	13.0	10.2	7.7	5.6				
	50	34.2	31.3	28.6	26.0	21.5	17.4	14.0	10.9	8.3	6.1					
4VES-7	30						25.1	20.6	16.7	13.3	10.4	8.0	5.9	4.2		
	40						22.2	18.1	14.6	11.5	9.0	6.7	4.8	3.2		
	50						19.2	15.6	12.4	9.8	7.3	5.3	3.6	2.2		
4VES-10	30	47.7	43.7	40.1	36.7	30.6	25.2	20.6	16.6	13.1	10.2	7.6				
	40	42.2	38.7	35.5	32.4	27.0	22.2	18.1	14.5	11.4	8.7	6.5				
	50	36.8	33.8	30.9	28.2	23.4	19.2	15.5	12.3	9.6	7.3					
4TES-9	30						30.7	25.2	20.4	16.3	12.8	9.8	7.3	5.2		
	40						27.0	22.1	17.8	14.1	10.9	8.1	5.9	4.0		
	50						23.4	19.0	15.2	11.9	9.0	6.6	4.6	2.9		
4TES-12	30	57.0	52.4	48.0	44.0	36.7	30.3	24.8	20.0	15.9	12.4	9.4				
	40	50.7	46.6	42.7	39.1	32.5	26.8	21.8	17.5	13.8	10.6	7.9				
	50	44.3	40.7	37.2	34.0	28.2	23.1	18.7	14.9	11.7	8.9					
4PES-12	30						35.6	29.2	23.7	18.9	14.8	11.3	8.3	5.9		
	40						31.4	25.6	20.6	16.3	12.7	9.5	6.8	4.6		
	50						27.2	22.1	17.7	13.8	10.5	7.7	5.3	3.3		
4PES-15	30	68.4	62.7	57.5	52.6	43.8	36.1	29.5	23.7	18.8	14.5	10.9				
	40	60.8	55.8	51.1	46.7	38.8	31.9	25.9	20.8	16.3	12.5	9.3				
	50	53.3	48.8	44.7	40.8	33.8	27.7	22.4	17.8	13.9	10.4					
4NES-14	30						41.1	33.7	27.3	21.8	17.2	12.9	9.5	6.7		
	40						36.6	29.9	24.1	19.1	14.9	11.0	7.9	5.4		
	50						32.0	26.0	20.8	16.3	12.2	8.9	6.2	3.8		
4NES-20	30	79.1	72.6	66.5	60.9	50.7	41.9	34.2	27.5	21.8	16.9	12.8				
	40	70.6	64.7	59.3	54.2	45.0	37.0	30.0	24.0	18.9	14.5	10.7				
	50	61.8	56.7	51.8	47.3	39.2	32.1	25.9	20.6	16.0	12.1					

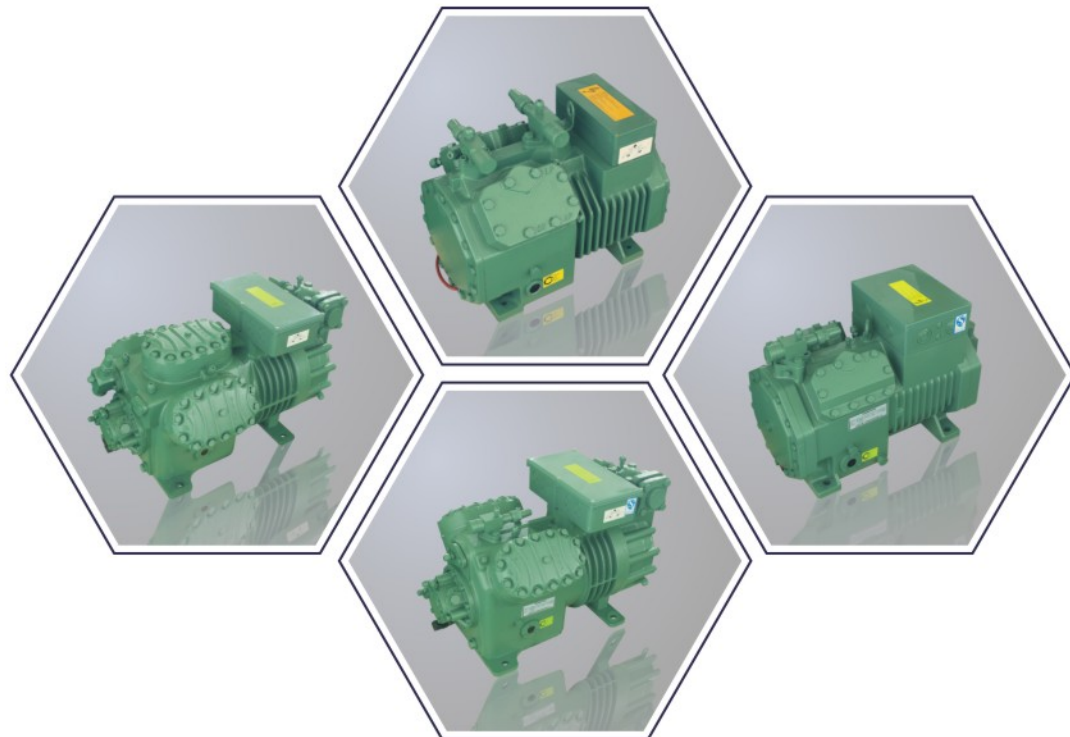
制冷量表
REFRIGERATION STABLE

型号 Model	冷凝 温度 Condensing temperature	制冷量 Q ₀ (KW) Refrigerating capacity Q ₀ (KW)														
		蒸发温度 °C Evaporating temperature °C														
		12.5	10	7.5	5	0	-5	-10	-15	-20	-25	-30	-35	-40	-45	-50
4JE-15	30						45.6	37.2	30.0	23.8	18.5	14.1	10.3	7.2		
	40						40.8	33.2	26.6	20.9	16.1	11.9	8.4	5.5		
	50						36.0	29.1	23.2	18.0	13.6	9.9	6.8	4.3		
4JE-22	30	85.8	78.8	72.3	66.2	55.2	45.6	37.2	30.1	23.9	18.7	14.2				
	40	77.6	71.3	65.4	59.8	49.7	40.9	33.3	26.8	21.1	16.2	12.2				
	50	69.8	64.0	58.6	53.5	44.5	36.4	29.5	23.6	18.4	14.0					
4HE-18	30						52.8	43.1	34.8	27.7	21.6	16.4	12.0	8.3		
	40						47.4	38.6	31.0	24.4	18.7	13.9	9.8	6.4		
	50						42.2	34.2	27.3	21.1	15.9	11.6	8.0			
4HE-25	30	99.3	91.2	83.7	76.6	63.9	52.8	43.1	34.8	27.7	21.6	16.4				
	40	89.9	82.6	75.7	69.2	57.6	47.4	38.6	31.0	24.4	18.8	14.1				
	50	80.8	74.1	67.9	62.0	51.5	42.2	34.2	27.3	21.3	16.2					
4GE-23	30						60.5	49.5	40.0	31.8	24.9	19.0	13.9	9.7		
	40						54.4	44.3	35.6	28.2	21.6	16.1	11.4	7.5		
	50						48.5	39.3	31.5	24.4	18.5	13.5	9.3			
4GE-30	30	114.1	104.8	96.1	87.9	73.3	60.5	49.5	40.0	31.8	24.9	19.0				
	40	103.2	94.7	86.8	79.4	66.0	54.4	44.3	35.6	28.2	21.9	16.5				
	50	92.7	85.0	77.9	71.1	59.0	48.5	39.3	31.5	24.7	19.0					
6JE-25	30						68.3	55.8	45.0	35.7	27.8	21.2	15.5	10.7		
	40						61.2	49.8	39.9	31.4	24.2	17.9	12.7	8.3		
	50						54.0	43.7	34.7	27.1	20.5	14.9	10.2	6.4		
6JE-33	30	130.1	119.4	109.4	100.1	83.4	68.8	56.2	45.3	36.0	28.1	21.3				
	40	117.4	107.6	98.6	90.1	74.8	61.6	50.1	40.2	31.7	24.4	18.2				
	50	104.4	95.7	87.6	80.0	66.3	54.3	44.0	35.0	27.3	20.8					
6HE-28	30						78.5	64.1	51.7	41.1	32.0	24.6	18.0	12.5		
	40						70.3	57.2	45.9	36.1	27.8	20.8	14.8	9.7		
	50						62.6	50.6	40.3	31.4	23.7	17.2	11.9	7.4		
6HE-35	30	149.1	136.9	125.5	114.8	95.6	79.0	64.5	52.0	41.3	32.2	24.4				
	40	134.6	123.5	113.2	103.5	86.0	70.8	57.6	46.2	36.4	28.1	20.9				
	50	120.9	110.8	101.4	92.7	76.8	63.0	51.0	40.6	31.7	24.1					
6GE-34	30						90.8	74.3	60.0	47.8	37.3	28.5	21.0	14.6		
	40						81.6	66.5	53.5	42.						

制冷量表
REFRIGERATION STABLE

型号 Model	冷凝温度 Condensing temperature	制冷量 Q ₀ (KW) Refrigerating capacity Q ₀ (KW)														
		蒸发温度 °C Evaporating temperature °C														
		12.5	10	7.5	5	0	-5	-10	-15	-20	-25	-30	-35	-40	-45	-50
S6H-20.2	30									35.5	29.7	24.5	19.9	15.9	12.4	9.2
	40									34.8	29.1	24.0	19.6	15.6	11.9	8.6
	50									34.1	28.5	23.7	19.2	15.2		
S6G-25.2	30									40.8	34.1	28.2	22.9	18.3	14.2	10.5
	40									39.9	33.4	27.6	22.5	17.9	13.7	9.9
	50									39.1	32.8	27.1	22.1	17.5		
S6F-30.2	30									48.8	40.8	33.7	27.4	21.9	17.0	12.6
	40									47.8	40.0	33.0	26.9	21.4	16.4	11.8
	50									46.8	39.2	32.5	26.4	20.9		

- 说明**
Remarks:
- 表示压缩机必须附加冷却或限制吸气温度；
The compressor should add chill or limit suction temperature.
 - 表示压缩机必须附加冷却+最大吸气过热度小于20度；
The compressor should add chill and the maximum suction superheat is less than 20 degree
 - 表示压缩机必须附加CIC系统。 The compressor should add CIC system.
 - 当频率为60Hz时，制冷量增加20%。 When the frequency is 60 Hz, the increase of refrigerating capacity is 20%。



制冷量表
REFRIGERATION STABLE

型号 Model	冷凝温度 Condensing temperature	制冷量 Q ₀ (KW) Refrigerating capacity Q ₀ (KW)																
		蒸发温度 °C Evaporating temperature °C																
		7.5	5	0	-5	-10	-15	-20	-25	-30	-35	-40	-45	-50	-55	-60	-65	-70
CA-0500E	30	24.0	22.2	18.6	15.4	12.6	10.2	8.5	6.7	5.3	4.0	3.0						
	40	20.4	18.9	15.8	13.1	10.7	8.7	7.2	5.7	4.5	3.4	2.6						
	50			13.0	10.7	8.8	7.1	5.9	4.7	3.6	2.8	2.1						
CA-0800E	30	31.4	28.7	24.0	20.0	16.4	13.4	10.7	8.5	6.5	4.9	3.7						
	40	26.4	24.1	20.2	16.8	13.8	11.3	9.0	7.1	5.5	4.2	3.1						
	50	21.6	19.8	16.6	13.8	11.4	9.1	7.4	5.8	4.5	3.5	2.6						
CA-1000E	30	44.8	44.2	35.1	29.0	23.9	19.4	15.6	12.3	9.5	7.2	5.3						
	40	38.1	35.6	29.8	24.6	20.3	16.5	13.2	10.5	8.1	6.1	4.5						
	50	30.1	28.8	24.1	19.9	16.4	13.4	10.7	8.5	6.6	4.9	3.6						
CA-1500E	30	69.0	64.5	54.3	45.2	37.3	30.5	25.6	19.6	15.3	11.7	8.9						
	40	58.7	54.8	46.2	38.4	31.7	25.9	21.8	16.7	13.0	9.9	7.5						
	50	47.5	44.4	37.4	31.1	25.7	21.0	17.6	13.5	10.5	8.1	6.1						
4FES-3E	30				13.7	11.3	9.2	7.4	5.9	4.6	3.5	2.5	1.7					
	40				11.5	9.5	7.7	6.2	4.8	3.7	2.7	1.9	1.3					
	50				9.4	7.7	6.2	4.9	3.8	2.9	2.1	1.4						
4FES-5E	30	21.5	19.7	16.5	13.8	11.4	9.3	7.5	5.9	4.6	3.5	2.5						
	40	18.2	16.7	14.0	11.6	9.5	7.7	6.2	4.9	3.7	2.7	1.9						
	50	14.9	13.7	11.4	9.5	7.7	6.2	4.9	3.8	2.9	2.0	1.4						
4EES-4E	30				17.3	14.2	11.6	9.3	7.4	5.7	4.3	3.2	2.2					
	40				14.4	11.8	9.6	7.7	6.0	4.6	3.4	2.4	1.5					
	50				11.6	9.5	7.7	6.1	4.7	3.5	2.5	1.7						
4EES-6E	30	27.4	25.2	21.1	17.5	14.4	11.8	9.5	7.5	5.8	4.4	3.2						
	40	23.1	21.2	17.7	14.7	12.1	9.8	7.8	6.1	4.7	3.4	2.4						
	50	18.9	17.3	14.4	11.9	9.7	7.8	6.2	4.8	3.6	2.5	1.7						
4DES-5E	30				21.1	17.4	14.2	11.4	9.1	7.0	5.3	3.9	2.7					
	40				17.6	14.5	11.8	9.4	7.4	5.7	4.2	3.0	1.9					
	50				14.3	11.7	9.4	7.5	5.8	4.4	3.2	2.1						
4DES-7E	30	32.5	29.8	25.0	20.7	17.1	13.9	11.2	8.8	6.8	5.1	3.7						
	40	27.5	25.2	21.0	17.4	14.3	11.6	9.2	7.2	5.5	4.0	2.7						
	50	22.5	20.6	17.2	14.2	11.6	9.3	7.3	5.6	4.2	3.0	1.9						
4CES-6E	30				24.9	20.6	16.9	13.6	10.9	8.5	6.5	4.8	3.4					
	40				21.1	17.4	14.2	11.4	9.0	6.9	5.2	3.7	2.5					
	50				17.3	14.2	11.5	9.1	7.1	5.4	3.9	2.7						
4CES-9E	30	38.8	35.6	29.9	24.9	20.6	16.8	13.6	10.8	8.5	6.5	4.8						
	40	32.8	30.1	25.3	21.0	17.4	14.2	11.4	9.0	7.0	5.2	3.7						
	50	27	24.8	20.8	17.3	14.3	11.6	9.2	7.2	5.4	3.9	2.6						
4VES-7E	30				27.0	22.3	18.1	14.6	11.5	8.9	6.7	4.9	3.3					
	40				22.7	18.6	15.1	12.0	9.4	7.2	5.3	3.7	2.3					
	50				14.9	12.0	9.5	7.3	5.5	3.9	2.6							
4VES-10E	30	42.7	39.1	32.8	27.2	22.4	18.2	14.6	11.4	8.8	6.5	4.5						
	40	36.1	33.0	27.6	22.8	18.6	15.0	11.9	9.2	6.9	5.0	3.3						
	50	29.5	27.0	22.4	18.4	15.0	12.0	9.4	7.1	5.2	3.6	2.3						
4TES-9E	30				33.0	27.2	22.2	17.8	14.1	10.9	8.3	6.0	4.1					
	40				27.7	22.7	18.4	14.7	11.5	8.8	6.5	4.5	2.9					
	50				18.3	14.7	11.7	9.0	6.8	4.8	3.2							
4TES-12E	30	51.4	47.1	39.4	32.7	26.9	21.8	17.5	13.8	10.6	7.9	5.6						
	40	43.4	39.8	33.2	27.5	22.5	18.2	14.5	11.3	8.5	6.2	4.3						
	50	35.3	32.4	27.0	22.3	18.2	14.6	11.5	8.8	6.5	4.6	3.0						
4PES-12E	30				38.3	31.5	25.7	20.7	16.3	12.6	9.5	6.9	4.6					
	40				32.2	26.5	21.4	17.1	13.4	10.2	7.5	5.2	3.3					
	50				21.4	17.2	13.6	10.5	7.8	5.6	3.7							
4PES-15E	30	61.5	56.3	47.1	39.0	32.0	26.0	20.8	16.3	12.4	9.2	6.5						
	40	52.2	47.8	39.9	33.0	27.0	21.8	17.3	13.4	10.1	7.3	5.0						
	50	42.6	39.0	32.4	26.7	21.7	17.4	13.6	10.4	7.7	5.3	3.4						
4NES-14E	30				44.0	36.2	29.5	23.7	18.8	14.5	10.9	7.9	5.4					
	40				37.3	30.6	24.8	19.8	15.5	11.8	8.7	6.1	3.9					
	50				24.8	20.0	15.8	12.2	9.1	6.5	4.3							
4NES-20E	30	70.9	65.0	54.4	45.2	37.2	30.2	24.2	19.0	14.6	10.8	7.6						
	40	60.5	55.4	46.2	38.2	31.2	25.2	20.0	15.5	11.7	8.5	5.8						
	50	49.9	45.6	37.8	31.1	25.2	20.1	15.7	12.0	8.8	6.1	3.9						

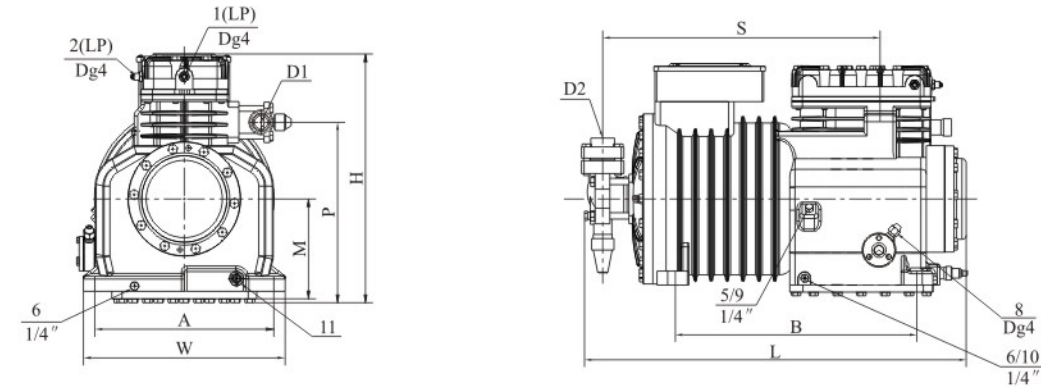
制冷量表
REFRIGERATION STABLE

型号 Model	冷凝温度 Condensing temperature	制冷量 Q ₀ (KW) Refrigerating capacity Q ₀ (KW)															
		蒸发温度 °C Evaporating temperature °C															
		7.5	5	0	-5	-10	-15	-20	-25	-30	-35	-40	-45	-50	-55	-60	-65
4HE-18E	30				58.5	48.6	39.9	32.5	26.1	20.6	15.8	11.8	8.4				
	40				50.8	42.0	34.4	27.8	22.1	17.2	13.1	9.5	6.6				
	50				34.8	28.4	22.8	17.9	13.8	10.3	7.3						
4HE-25E	30	89.7	82.3	68.9	57.3	47.3	38.7	31.3	24.9	19.5	14.9	11.1					
	40	77.8	71.3	59.7	49.6	40.8	33.2	26.7	21.1	16.4	12.3	9.0					
	50	64.9	59.5	49.8	41.3	33.9	27.5	22.0	17.2	13.2	9.8	6.9					
4GE-23E	30				67.2	55.8	45.9	37.4	30.0	23.7	18.3	13.7	9.9				
	40				58.3	48.3	39.6	32.0	25.5	20.0	15.2	11.2	7.8				
	50				40.1	32.7	26.3	20.8	16.0	12.0	8.6						
4GE-30E	30	102.8	94.3	79.0	65.8	54.3	44.5	36.0	28.7	22.5	17.3	12.9					
	40	89.3	81.9	69.5	56.9	46.9	38.2	30.8	24.4	18.9	14.3	10.5					
	50	74.5	68.3	57.2	47.5	39.0	31.7	25.4	19.9	15.3	11.4	8.1					
6HE-28E	30				87.9	73	59.3	47.8	39.0	29.7	22.7	16.7	11.9				
	40				74.7	61.6	50.2	40.4	31.9	24.7	18.6	13.4	9.1				
	50				50.5	41.2	33.0	26.0	19.9	14.8	10.4						
6HE-35E	30	136.0	124.8	104.5	86.9	71.0	58.4	47.0	37.2	28.8	21.7	15.7					
	40	116.3	106.6	89.3	74.1	60.9	49.5	39.6	31.1	23.8	17.7	12.5					
	50	96.6	88.6	74.1	61.4	50.4	40.7	32.4	25.3	19.2	14.0	9.7					
6GE-34E	30				100.8	83.7	68.8	56.0	45.0	35.6	27.5	20.6	14.8				
	40				87.6	72.4	59.3	48.0	38.3	29.9	22.8	16.7	11.6				
	50				60.2	49.1	39.6	31.2	24.1	18.0	12.8						
6GE-40E	30	154.3	141.5	118.6	98.7	81.5	66.7	54.0	43.1	33.8	26.0	19.3					
	40	134.0	122.9	102.8	85.4	70.4	57.4	46.2	36.6	28.4	21.5	15.7					
	50	111.8	102.5	85.8	71.2	58.5	47.5	38.1	30.0	23.0	17.1	12.2					
6FE-44E	30				120.6	100.0	82.2	66.8	53.6	42.3	32.6	24.4	17.4				
	40				104.6	86.5	70.8	57.2	45.5	35.5	26.9	19.7	13.5				
	50				71.7	58.4	46.9	37.0	28.4	21.2	15.0						
6FE-50E	30	184.8	169.4	141.9	118.1	97.4	79.7	64.4	51.3	40.2	30.8	22.9					
	40	160.3	147.0	122.9	102.1	84.0	68.4	55.0	43.5	33.7	25.4	18.8					
	50	133.6	122.5	102.4	84.9	69.7	56.6	45.2	35.5	27.2	20.1	14.2					
S4G-12.2E	30							19.4	16.8	14.2	11.8	9.6	7.6	5.9	4.5	3.4	2.4
	40							18.9	16.2	13.6	11.3	9.2	7.3	5.7	4.3	3.2	
	50							18.0	15.4	13.0	10.8	8.8	7.0	5.5			
S6J-16.2E	30							27.5	23.7	20.1	16.7	13.7	11.0	8.6	6.6	4.9	3.6
	40							26.5	22.8	19.3	16.0	13.1	10.5	8.3	6.4	4.7	
	50							25.4	21.8	18.5	15.4	12.6	10.1	8.0			
S6H-20.2E	30							31.6	27.2	23.2	19.3	15.8	12.7	10.0	7.6	5.8	4.2
	40							30.2	26.0	22.1	18.4	15.1	12.2	9.6	7.4	5.5	
	50							28.8	24.8	21.0	17.5	14.5	11.7	9.2			
S6G-25.2E	30							36.2	31.3	26.6	22.3	18.2	14.6	11.5	8.8	6.6	4.9
	40							34.9	30.1	25.5	21.3	17.4	14.0	11.0	8.5	6.4	
	50							33.5	28.6	24.4	20.4	16.7	13.5	10.6			
S6F-30.2E	30							43.4	37.4	31.8	26.5	21.7	17.4	13.7	10.5	7.9	5.8
	40							41.5	35.7	30.3	25.3	20.7	16.7	13.2	10.2	7.6	
	50							39.5	34.0	28.9	24.1	19.9	16.1	12.7			

说明 1、 表示压缩机必须附加冷却或限制吸气温度；
2、当频率为60Hz时，制冷量增加20%。

外形图
OUTLINE DRAWING

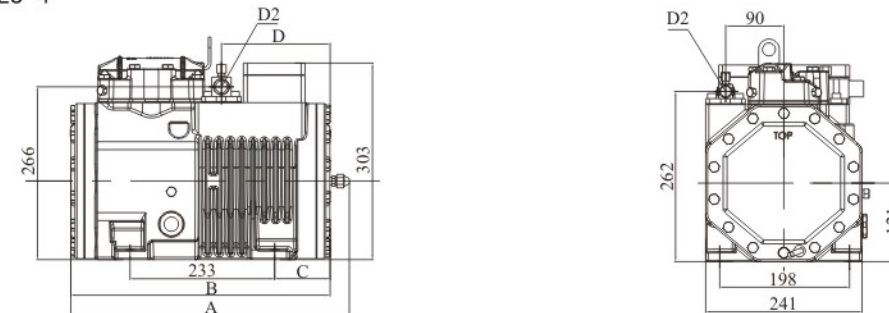
BFCA-0500、BFCA-0800、BFCA-1000、BFCA-1500



图示尺寸标注说明（单位：mm） Explanation of Dimension marking In the drawing

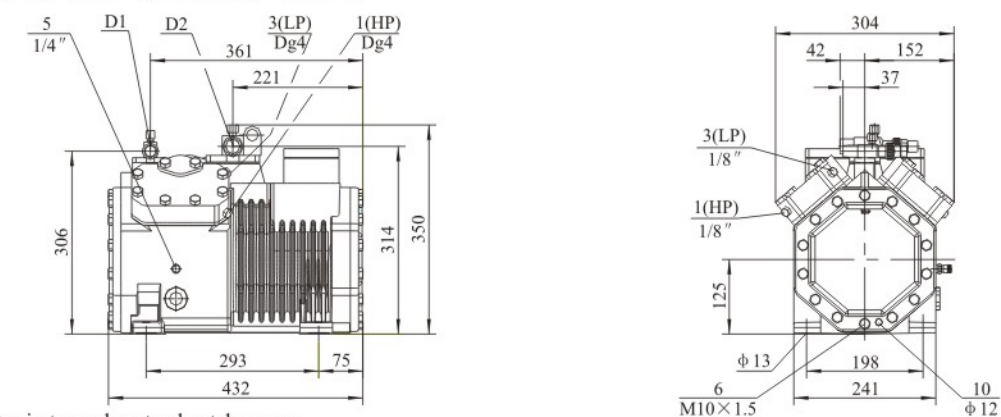
型号 model	A	B	D1	D2	H	L	M	P	S	W
BFCA-0500	230	350	19	25	395	542	130	240	371	310
BFCA-0800	280	380	19	32	448	585	160	297	390	330
BFCA-1000	280	380	25	32	448	585	160	297	390	330
BFCA-1500	315	480	28	38	430	745	160	292	470	366

2CES-3、2CES-4



型号 model	A	B	C	D
2CES-3	430	400	86	168
2CES-4	455	425	112	193

4FES-3、4FES-5、4EES-4、4EES-6、4DES-5



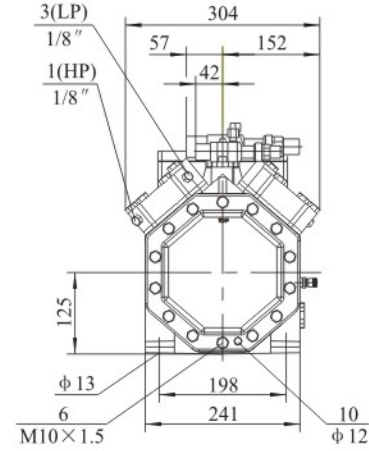
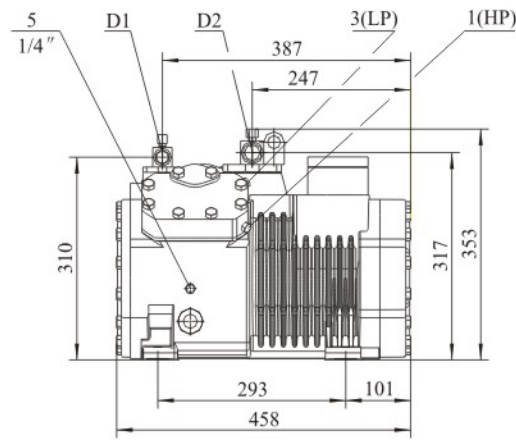
吸、排气阀接管 Aspirator, exhaust valve take-over

型号 model	4FES-3	4FES-5	4EES-4	4EES-6	4DES-5
D1 mm	φ 16(5/8")	φ 16(5/8")	φ 16(5/8")	φ 16(5/8")	φ 22(7/8")
D2 mm	φ 22(7/8")	φ 22(7/8")	φ 28(1 1/8")	φ 28(1 1/8")	φ 28(1 1/8")

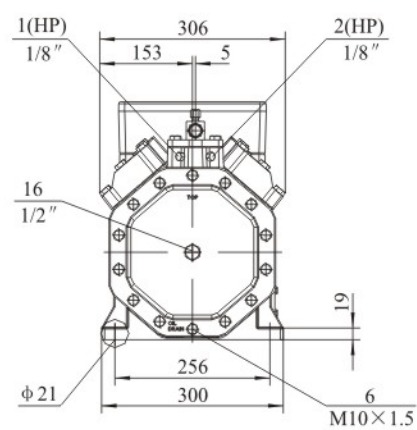
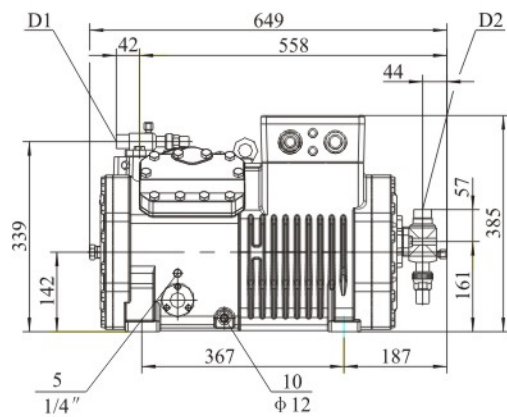
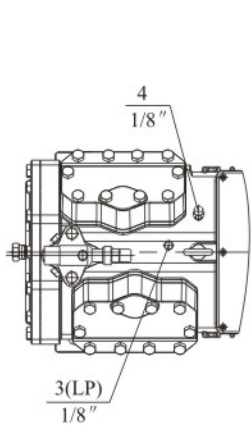
图示接管位置说明见P8 Instruction of the take-over station as drawing please see page 8

外形图
OUTLINE DRAWING

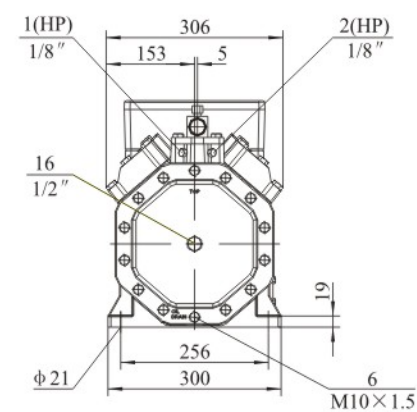
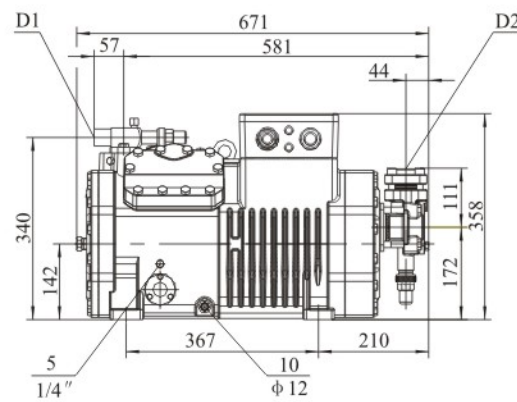
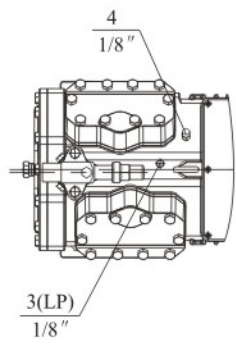
4DES-7、4CES-6、4CES-9



4VES-7、4VES-10、4TES-9、4TES-12、4PES-12、4PES-15



4NES-14、4NES-20



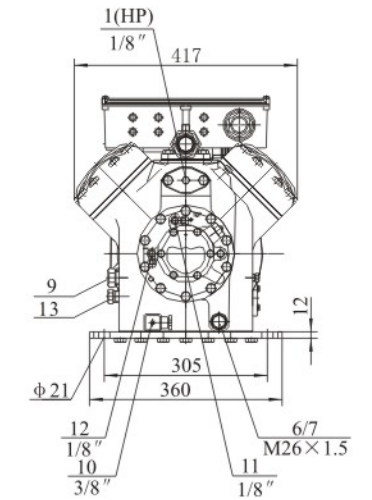
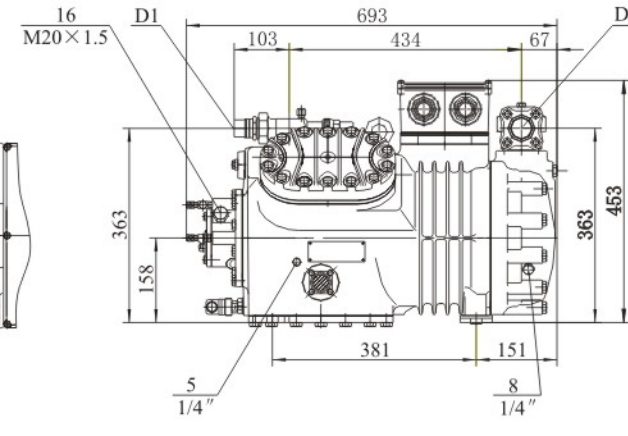
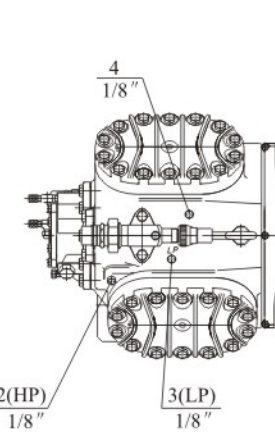
吸、排气阀接管 Aspirator, exhaust valve take-over

型号 model	4DES-7	4CES-6	4CES-9	4VES-7	4VES-10	4TES-9	4TES-12	4PES-12	4PES-15	4NES-14	4NES-20
D1 mm	φ 22(7/8")	φ 22(7/8")	φ 22(7/8")	φ 22(7/8")	φ 22(7/8")	φ 28(1 1/8")	φ 28(1 1/8")	φ 28(1 1/8")	φ 28(1 1/8")	φ 28(1 1/8")	φ 28(1 1/8")
D2 mm	φ 28(1 1/8")	φ 28(1 1/8")	φ 28(1 1/8")	φ 28(1 1/8")	φ 28(1 1/8")	φ 35(1 3/8")	φ 35(1 3/8")	φ 35(1 3/8")	φ 35(1 3/8")	φ 42(1 5/8")	φ 42(1 5/8")

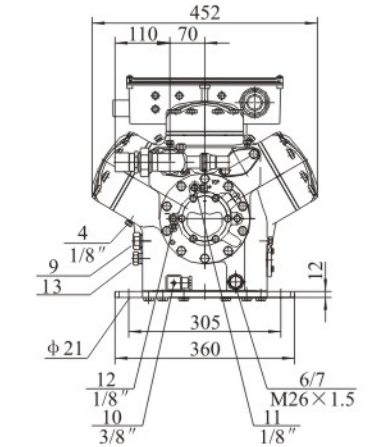
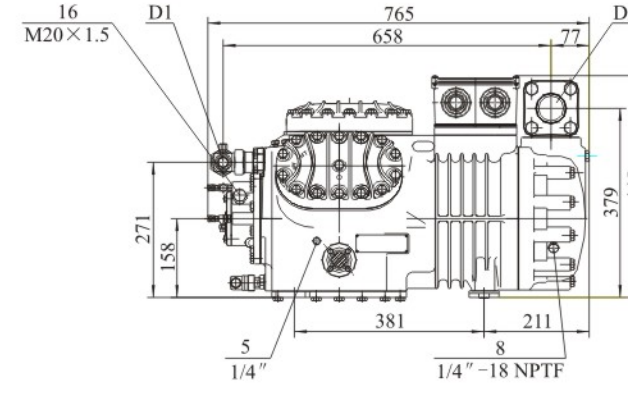
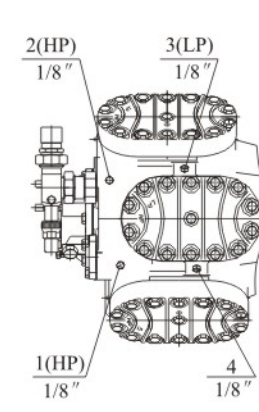
图示接管位置说明见P8 Instruction of the take-over station as drawing please see page 8

外形图
OUTLINE DRAWING

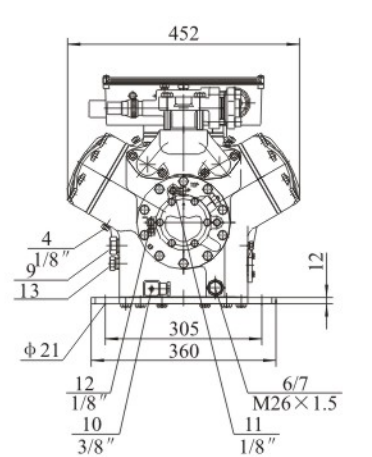
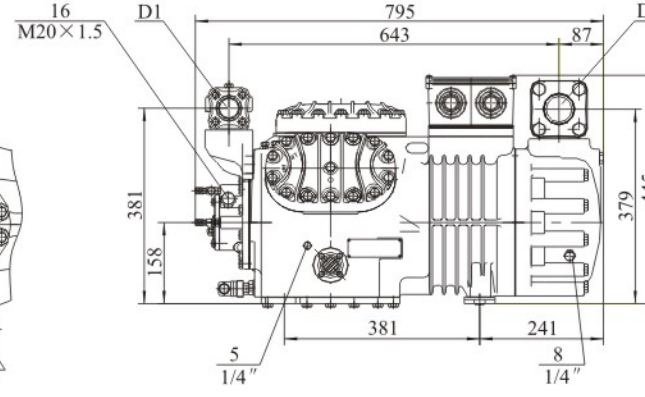
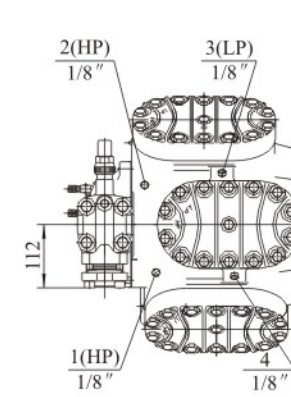
4JE-15、4JE-22、4HE-18、4HE-25、4GE-23、4GE-30



6JE-25、6JE-33、6HE-28、6HE-35、6GE-34、6GE-40



6FE-44、6FE-50



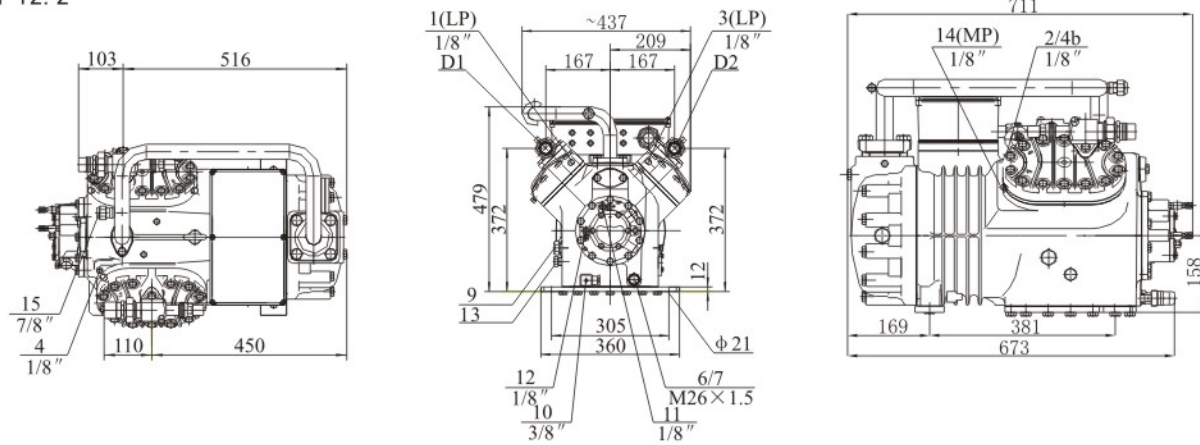
吸、排气阀接管 Aspirator, exhaust valve take-over

型号 model	4JE-15	4JE-22	4HE-18	4HE-25	4GE-23	4GE-30	6JE-25	6JE-33	6HE-28	6HE-35	6GE-34	6GE-40	6FE-44	6FE-50
D1 mm	φ 28(1 1/8")	φ 28(1 1/8")	φ 28(1 1/8")	φ 28(1 1/8")	φ 28(1 1/8")	φ 28(1 1/8")	φ 35(1 3/8")	φ 35(1 3/8")	φ 35(1 3/8")	φ 35(1 3/8")	φ 35(1 3/8")	φ 35(1 3/8")	φ 42(1 5/8")	φ 42(1 5/8")
D2 mm	φ 42(1 5/8")	φ 42(1 5/8")	φ 42(1 5/8")	φ 54(2 1/8")	φ 54(2 1/8")	φ 54(2 1/8")	φ 54(2 1/8")	φ 54(2 1/8")	φ 54(2 1/8")	φ 54(2 1/8")	φ 54(2 1/8")	φ 54(2 1/8")	φ 54(2 1/8")	φ 54(2 1/8")

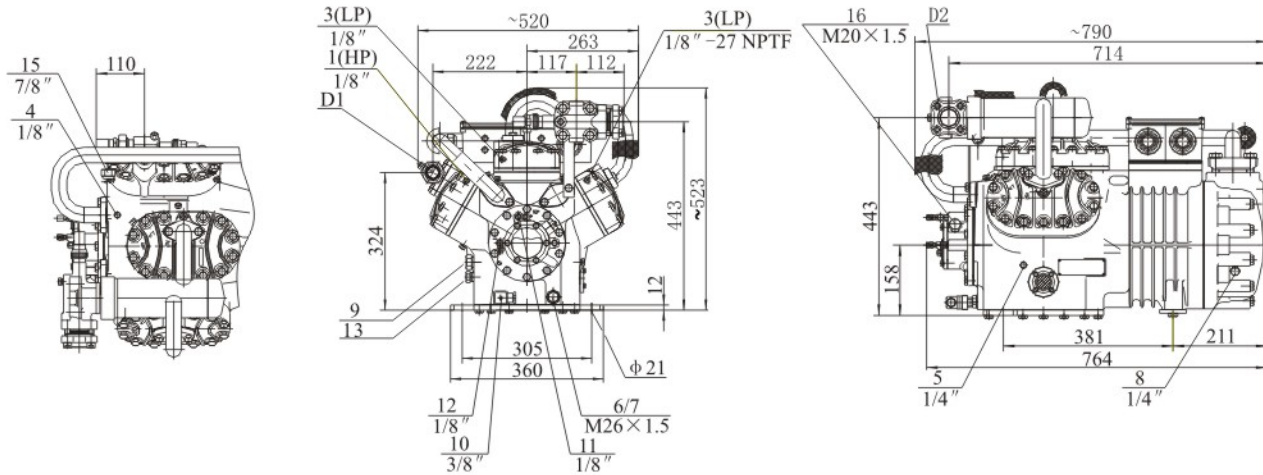
图示接管位置说明见P8 Instruction of the take-over station as drawing please see page 8

外形图
OUTLINE DRAWING

S4G-12.2



S6J-16.2, S6H-20.2, S6G-25.2, S6F-30.2



吸、排气阀接管 Aspirator, exhaust valve take-over

型号 model	S4G-12.2	S6J-16.2	S6H-20.2	S6G-25.2	S6F-30.2
D1 mm	φ28 (1 1/8")	φ35(1 3/8")	φ35(1 3/8")	φ35(1 3/8")	φ35(1 3/8")
D2 mm	φ35 (1 3/8")	φ42(1 5/8")	φ42(1 5/8")	φ42(1 5/8")	φ42(1 5/8")

图示接管位置说明 Explanation of pipes location in the drawing

- | | | |
|-----------------------------------------------------------------|-------------------------------------------------------------------------------------------------|--------------------------|
| 1、高压接口(HP) | 8、回油口(接油分离器) | 15、喷液口(不带液体过冷器、热力膨胀阀运行) |
| 2、排气温度探头接口(HP) | 9、气平衡接口(并联运行) | 16、油压差开关"Delta-P"连接 |
| 3、低压接口(LP) | 10、曲轴箱加热器 | 17、液体过冷器制冷剂入口 |
| 4、CIC系统: 喷嘴接口(不带液体过冷器运行) | 11、油压高压接口+ | 18、液体过冷器制冷剂出口 |
| 5、加油堵 | 12、油压低压接口- | 19、热力膨胀阀外平衡管接口(带液体过冷器运行) |
| 6、放油口 | 13、油平衡接口(并联运行) | D1、排气阀接口 |
| 7、油过滤器(带磁螺栓) | 14、中间压力接口(MP) | D2、吸气阀接口 |
| 1. High pressure connection (HP) | 12. Oil pressure low connection - | |
| 2. Discharge gas temperature sensor(HP) | 13. Oil equalization (parallel operation) | |
| 3. Low pressure connection (LP) | 14. Intermediate pressure connection (MP) | |
| 4. CIC system: spray nozzle(operation without liquid subcooler) | 15. Liquid injection (operation without liquid subcooler and with thermostatic expansion valve) | |
| 5. Oil fill plug | 16. Connection for differential oil pressure switch "Delta-P" | |
| 6. Oil drain | 17. Refrigerant inlet at liquid subcooler | |
| 7. Oil filter (magnetic screw) | 18. Refrigerant outlet at liquid subcooler | |
| 8. Oil return (oil separator) | D1. Discharge valve connection | |
| 9. Gas equalization (parallel operation) | D2. Suction valve connection | |
| 10. Crankcase heater | | |
| 11. Oil pressure high connection + | | |



一流品质 铸就精品
半封闭制冷压缩机
强劲制冷动力“芯”